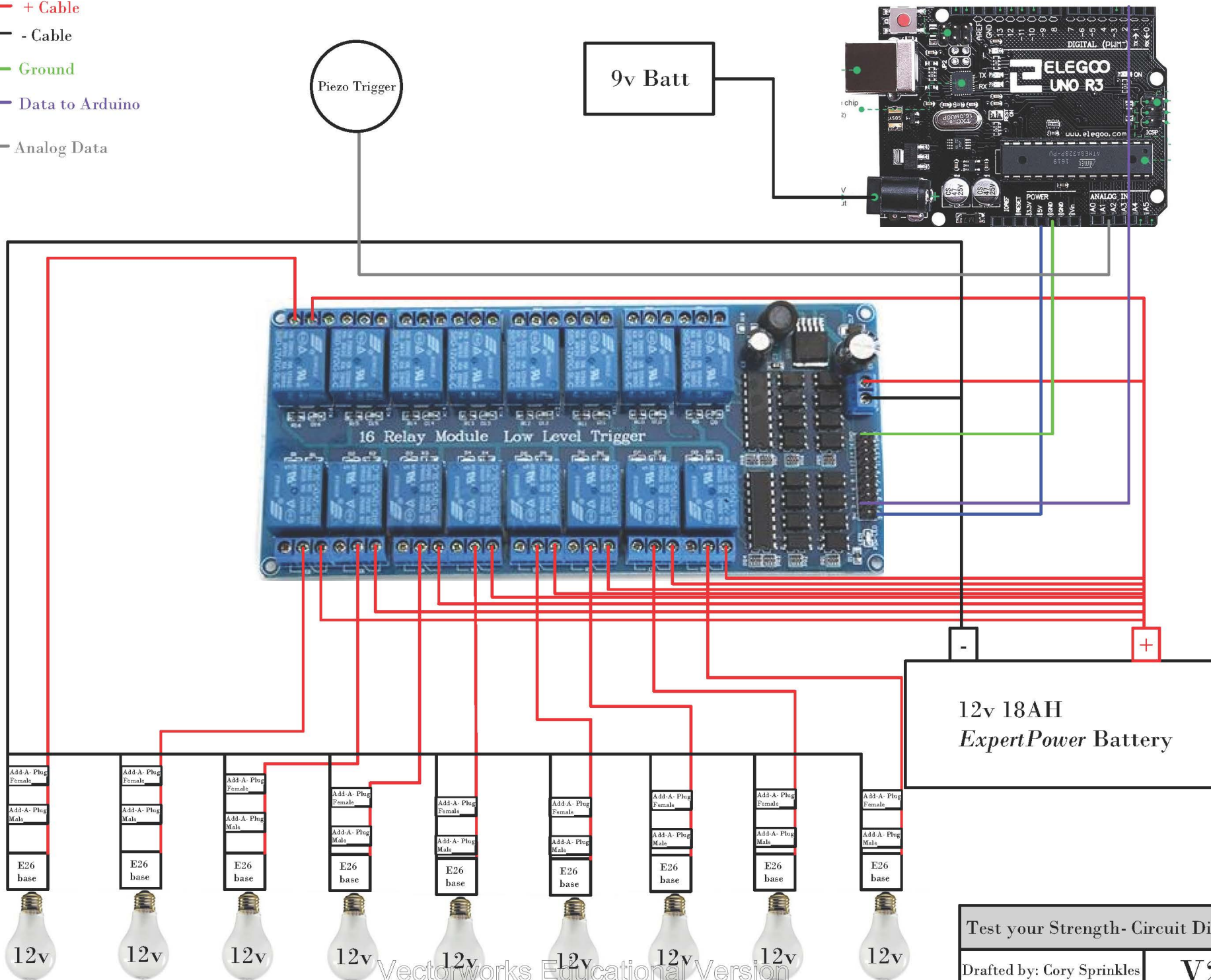


- 5v line
- + Cable
- Cable
- Ground
- Data to Arduino
- Analog Data



Test your Strength- Circuit Diagram
Drafted by: Cory Sprinkles **V2**